



PRICE LIST

Effective: 10/19/98

© 1998 TEAM LOSI, INC.

NOT RESPONSIBLE FOR TYPOGRAPHICAL ERRORS

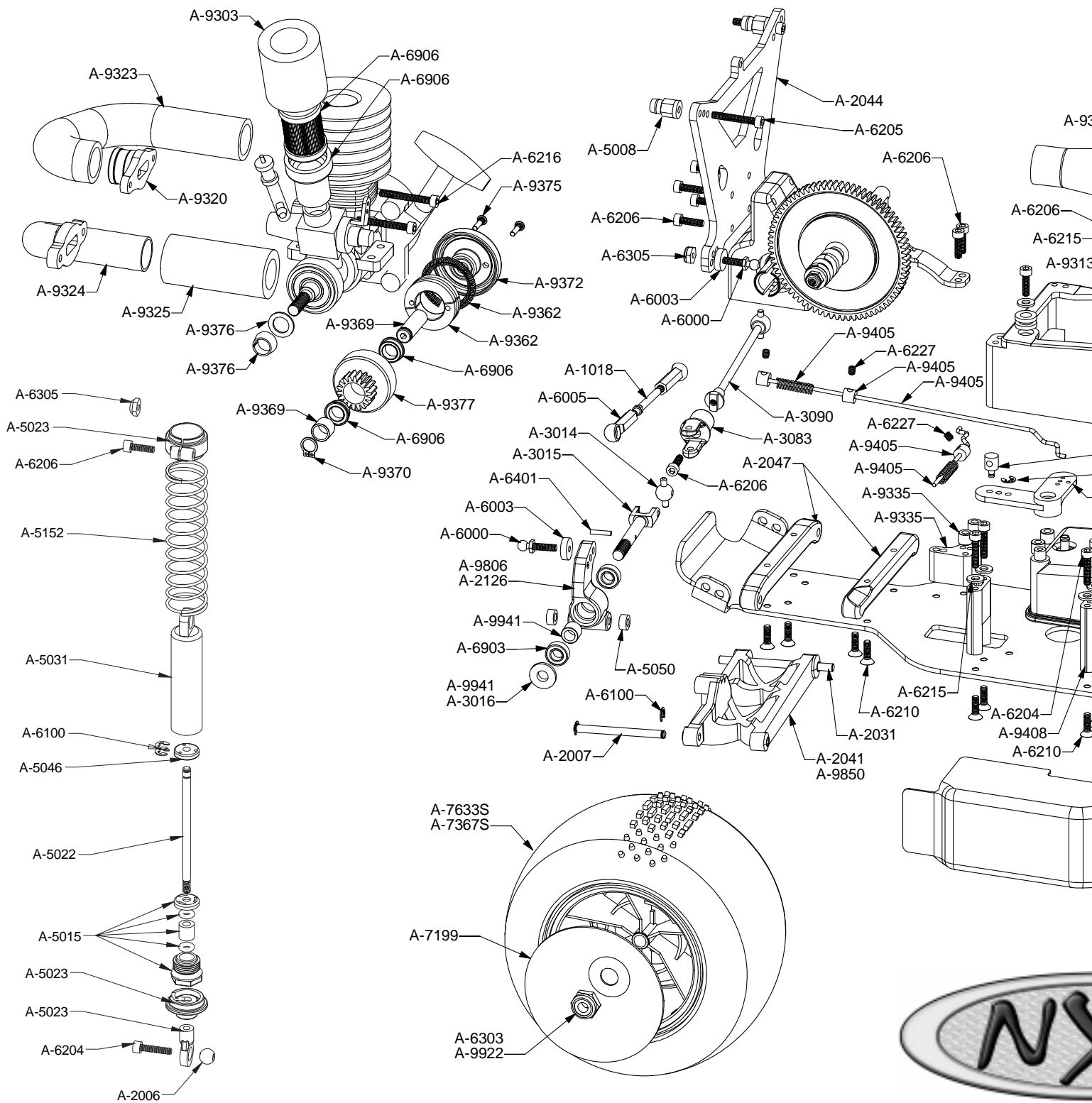
ALL PRICES SUBJECT TO CHANGE WITHOUT NOTICE

TEAM LOSI PERFORMANCE

CHOICE OF CHAMPIONS

| | | |
|--------|--|----------|
| A-0810 | NXT Gas Truck Kit with Bushings/Bearings | \$314.95 |
| A-0820 | NXT Racer Gas Truck Kit with Bearings | \$439.95 |
| A-0830 | NXT Graphite Plus Gas Truck Kit with Bearings | \$499.95 |
| A-1003 | Front Bulkhead | \$5.00 |
| A-1006 | 1/8" x .690" Hinge Pin | \$3.00 |
| A-1007 | Inner Front Hinge Pins | \$3.00 |
| A-1008 | Front Outer Hinge Pin/King Pin (LXT, GTX, NXT) | \$3.00 |
| A-1016 | Front Suspension Arms (LXT, GTX, NXT) | \$7.00 |
| A-1017 | Front Spindles & Carriers (LXT, GTX, NXT) | \$6.00 |
| A-1018 | Long L/R Threaded Tie Rod Set 1-7/8" | \$4.50 |
| A-1020 | Front Shock Tower (NXT) | \$7.00 |
| A-1022 | NXT Front Axles (for XX-T Wheels) | \$6.00 |
| A-1507 | Rigid Steering Arm Set | \$3.00 |
| A-1510 | Steering Sector Arm w/Screws | \$5.50 |
| A-1514 | Steering Post w/Hardware (GTX, NXT) | \$5.00 |
| A-1615 | Short Ball Cups & Threaded Rods | \$2.75 |
| A-2005 | Adjustable L/R Threaded Rods w/Ends (1.125") | \$4.50 |
| A-2006 | Swivel Suspension Balls .250" | \$4.00 |
| A-2007 | Hinge Pin 1.42" (XXT, GTX, NXT) | \$3.00 |
| A-2031 | Inner Rear Hinge Pin (GTX, NXT) | \$3.00 |
| A-2041 | Rear Suspension Arms (LXT, GTX, NXT) | \$7.00 |
| A-2044 | Rear Shock Tower (NXT) | \$8.00 |
| A-2047 | Rear Suspension Mount Set (NXT) | \$4.00 |
| A-2126 | 'CR' Rear Hub Carrier Set with Spacers | \$6.00 |
| A-3014 | Universal Pivots | \$4.50 |
| A-3015 | Rear Axle, Spacer & Pin | \$6.00 |
| A-3016 | Rear Axle Spacer & Pin | \$1.25 |
| A-3060 | 'XX' Slipper Shaft, Spacer & Hardware | \$5.50 |
| A-3062 | Transmission Screw Set (GTX, NXT) | \$2.00 |
| A-3065 | Silicone Differential Compound | \$2.50 |
| A-3066 | Teflon™ Thrust Bearing/Assembly Grease | \$2.50 |
| A-3070 | 'XX' Retro Trans Drive Rings | \$2.00 |
| A-3072 | 'XX' Trans Diff Tube | \$2.25 |
| A-3073 | 'XX' Trans Outdrive Cup/Diff Half | \$7.00 |
| A-3075 | 'XX' Trans Upper Gear, Idler, Shaft (2.19:1) | \$6.00 |
| A-3076 | 'XX' Trans Diff Gear Only (2.61:1) | \$2.00 |
| A-3077 | 'XX' Trans Upper Gear, Idler, Shaft (2.61:1) | \$6.00 |
| A-3078 | 'XX' Trans Diff Screw, Hardware, Seal Set | \$3.50 |
| A-3082 | DogBone/Drive Shaft w/Yoke (LXT, GTX, NXT) | \$8.50 |
| A-3083 | Yoke & Screw for Dog Bone/Drive Shaft | \$3.50 |
| A-3084 | Transmission Case Set (GTX, NXT) | \$6.00 |

| | | |
|--------|--|---------|
| A-3087 | Slipper Shaft Spacer (GTX, NXT) | \$3.75 |
| A-3098 | Diff Thrust Bearing with Carbide Balls (Molded) | \$5.00 |
| A-3122 | Slipper Gear Plate | \$6.00 |
| A-3123 | Slipper Friction Pad | \$3.00 |
| A-3124 | Slipper Springs, Cup, Washer | \$3.00 |
| A-3125 | 1/4" x 9/16" Thrust Bearing Assy | \$2.50 |
| A-3132 | Slipper Back Plate (XX, XX-T) | \$6.00 |
| A-3134 | Slipper Back Plate/Brake Drum (GTX, NXT) | \$6.00 |
| A-3916 | 76-Tooth, 32-Pitch Spur Gear (GTX, NXT) | \$4.00 |
| A-3920 | 76-Tooth, 32-Pitch Spur Gear Dual-Disk Slipper (NXT) | \$4.00 |
| A-4002 | Antenna Kit | \$2.25 |
| A-4003 | Antenna Caps | \$1.25 |
| A-4004 | Servo Tape | \$1.75 |
| A-4020 | Chassis, Black Anodized (GTX, NXT) | \$30.00 |
| A-4022 | Center Chassis Brace (GTX, NXT) | \$10.00 |
| A-4026 | NXT Machined Transmission Brace (NXT) | \$6.00 |
| A-4029 | Foam Pad for Receiver Battery Mounting | \$1.50 |
| A-4045 | Front Bottom Mount Bumper (LXT, SE, GTX, NXT) | \$4.95 |
| A-4055 | Adjustable Front Body Mount (LXT, GTX, NXT) | \$5.00 |
| A-5005 | Shock Shaft .9" | \$3.00 |
| A-5008 | Upper Shock Mount Bushings | \$2.00 |
| A-5015 | Double O-Ring Shock Cartridge (Front/Rear) | \$2.00 |
| A-5022 | Shock Shaft 1.2" | \$3.00 |
| A-5023 | Spring Clamp & Cups | \$2.50 |
| A-5030 | .9" Shock Body Hard Anodized | \$8.00 |
| A-5031 | 1.2" Shock Body Hard Anodized | \$8.00 |
| A-5046 | Teflon™ Shock Pistons #56, Red | \$3.00 |
| A-5150 | 2.5" Spring 2.3 Rate (Pink) | \$2.50 |
| A-5152 | 2.5" Spring 2.6 Rate (Red) | \$2.50 |
| A-5224 | SILATECH Competition Shock Fluid 30wt | \$3.50 |
| A-6000 | Ball Studs w/Rod Ends 4-40 x 3/8" | \$3.50 |
| A-6001 | Ball Studs w/Rod Ends 4-40 x 3/16" | \$3.50 |
| A-6003 | Foam Things (Linkage Rings) | \$1.50 |
| A-6005 | H.D. 30c Plastic Rod Ends | \$5.00 |
| A-6030 | Assembly Wrench | \$1.50 |
| A-6100 | E-Clips 1/8" | \$1.25 |
| A-6102 | C-clips, .1875" (3/16") - Large | \$1.75 |
| A-6103 | E-Clips 3/32" | \$1.25 |
| A-6200 | 4-40 x 1/8" Cap-Head Shoulder-Screw | \$3.00 |
| A-6201 | 3mm x 8mm Screws w/Washers (Motor) | \$3.00 |
| A-6204 | 4-40 x 1/2" Cap Head Screws | \$1.50 |



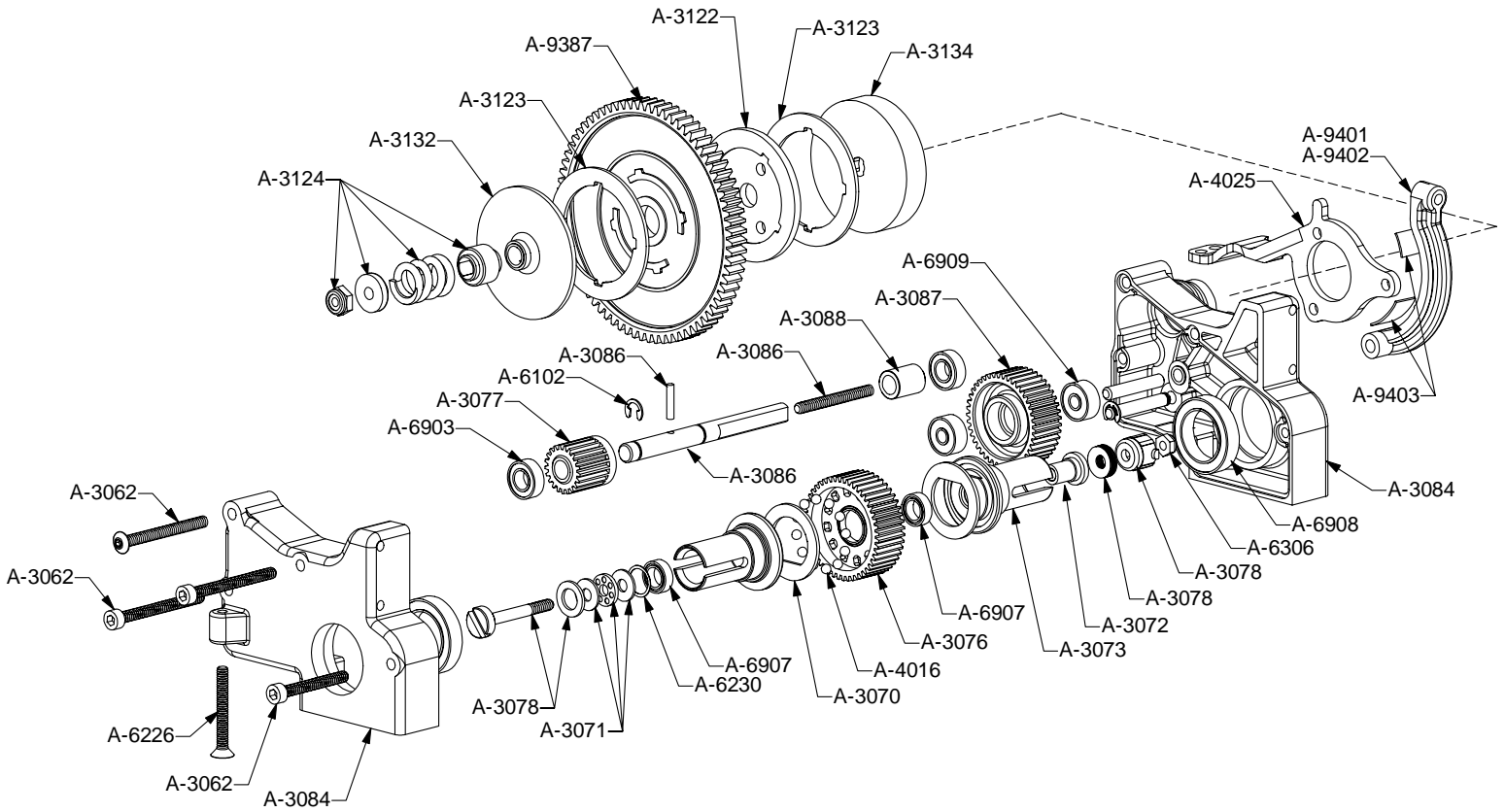
| | | | | | |
|--------|---------------------------------------|--------|--------|---|---------|
| A-6205 | 4-40 x 3/4" Cap-Head Screw | \$1.50 | A-6300 | 4-40 Hex Nuts | \$1.00 |
| A-6206 | 4-40 x 3/8" Cap-Head Screws | \$1.50 | A-6303 | 10-32 Locking Nuts (4ea Nylon & Steel) | \$1.50 |
| A-6208 | 8-32 x 3/8" Aluminum Flat Head Screws | \$1.50 | A-6304 | 10-32 Aluminum Locking Nuts Low Profile | \$2.25 |
| A-6209 | 8-32 x 1/2" Aluminum Flat-Head Screws | \$1.50 | A-6305 | 4-40 Locking Nuts Low Profile | \$3.50 |
| A-6210 | 4-40 x 3/8" Flat-Head Screws | \$1.50 | A-6306 | 4-40 Aluminum Mini Nuts | \$3.50 |
| A-6215 | #4 Narrow Washers (Gold) | \$1.25 | A-6400 | Pins, U-Joint | \$1.25 |
| A-6221 | 4-40 x 5/8" Cap-Head Screw | \$1.50 | A-6401 | Pins, Wheel & Gear | \$1.25 |
| A-6225 | 2-56 x 5/16" Button Head Screws | \$2.00 | A-6903 | 3/16" x 3/8" Ball Bearing | \$5.50 |
| A-6226 | 4-40 x 7/8" Flat-Head Screw | \$2.00 | A-6905 | 3/16" x 5/16" Bearings | \$7.50 |
| A-6227 | 4-40 x 1/8" Hardened Setscrews | \$1.80 | A-6906 | 1/4" x 3/8" Flanged Ball Bearing | \$12.00 |
| A-6228 | 5-40 Hardened Setscrews | \$1.80 | A-6907 | 5mm x 8mm Ball Bearings (XX Trans) | \$6.50 |
| A-6230 | Shim Assortment - 3/16", 1/4", 1/2" | \$2.50 | A-6908 | 1/2" x 3/4" Bearings w/Teflon Seal (XX Trans) | \$13.50 |
| A-6234 | 4-40 x 1/4" Button-Head Screws | \$2.50 | A-6909 | 1/8" x 3/8" Bearings (XX Trans) | \$6.00 |



800-0124



Team Losi, Inc., 13848 Magnolia Ave., Chino, CA 91710
 Phone (909)465-9400 • Fax (909)590-1496 • www.TeamLosi.com



| | | |
|--------|--|---------|
| A-9328 | NXT Tuned Exhaust Pipe | \$20.00 |
| A-9330 | Pipe Mounting Bracket w/Hardware | \$3.00 |
| A-9335 | Engine Mount Set w/Hardware | \$12.00 |
| A-9362 | Machined Teflon™ Clutch Shoesw/Spring | \$9.00 |
| A-9363 | Clutch Springs for Machined Clutch Shoes | \$3.00 |
| A-9369 | Clutch Nut | \$4.00 |
| A-9370 | Clutch Nut Clips | \$1.50 |
| A-9372 | Flywheel w/Pins (2 Pin, Steel) | \$8.00 |
| A-9375 | Flywheel Pins/Screws | \$3.00 |
| A-9376 | Flywheel Collet w/shims | \$3.00 |
| A-9377 | 18-Tooth Clutch Bell w/76-Tooth Spur Gear (32-Pitch) | \$12.00 |
| A-9401 | Brake Arm w/Pad | \$2.50 |
| A-9403 | Brake Pad | \$2.00 |
| A-9405 | Brake/Throttle Linkage Set | \$9.00 |
| A-9406 | Throttle Servo Horn 23-Spline | \$2.00 |
| A-9407 | Throttle Servo Horn 25-Spline | \$2.00 |
| A-9408 | Servo Mounting Set (GTX, NXT) | \$3.00 |
| A-9409 | Throttle Return Spring & Eyelet | \$3.00 |

Optional Parts

| | | |
|--------|---|---------|
| A-1508 | Ball Bearing Rigid Steering Arm Set | \$29.95 |
| A-1509 | Plastic only for #A-1508 | \$4.00 |
| A-5061 | .9" Titanium Nitride Shock Shaft | \$7.00 |
| A-5062 | 1.2" Titanium Nitride Shock Shaft | \$7.00 |
| A-9324 | Aluminum 180-Degree Header for Non-P.S. Engines | \$12.00 |
| A-9325 | Silicone Exhaust Coupler Tubing 2" | \$2.50 |
| A-9402 | Graphite Brake Arm w/Pad | \$4.00 |
| A-9750 | Graphite Front Suspension Arms (LXT, GTX, NXT) | \$12.00 |
| A-9806 | 1° 'CR' Rear Hub Set | \$7.50 |
| A-9850 | Graphite Rear Suspension Arms (LXT, GTX, NXT) | \$12.00 |
| A-9922 | MIP CVD Driveshafts (XX-T, NXT) | \$34.50 |
| A-9941 | Bearing Spacer/Wheel Washer Set | \$9.95 |
| A-9940 | Aluminum Hardcoated Suspension Balls | 3.95 |
| A-9945 | Titanium Ball Stud with Hex Head .188" | \$9.00 |
| A-9946 | Titanium Ball Stud with Hex Head .250" | \$9.00 |
| A-9947 | Titanium Ball Stud with Hex Head .380" | \$9.00 |
| A-9960 | Graphite Center Chassis Brace (GTX, NXT) | \$17.00 |
| A-9961 | Graphite Transmission Case Set (NXT, GTX) | \$10.00 |